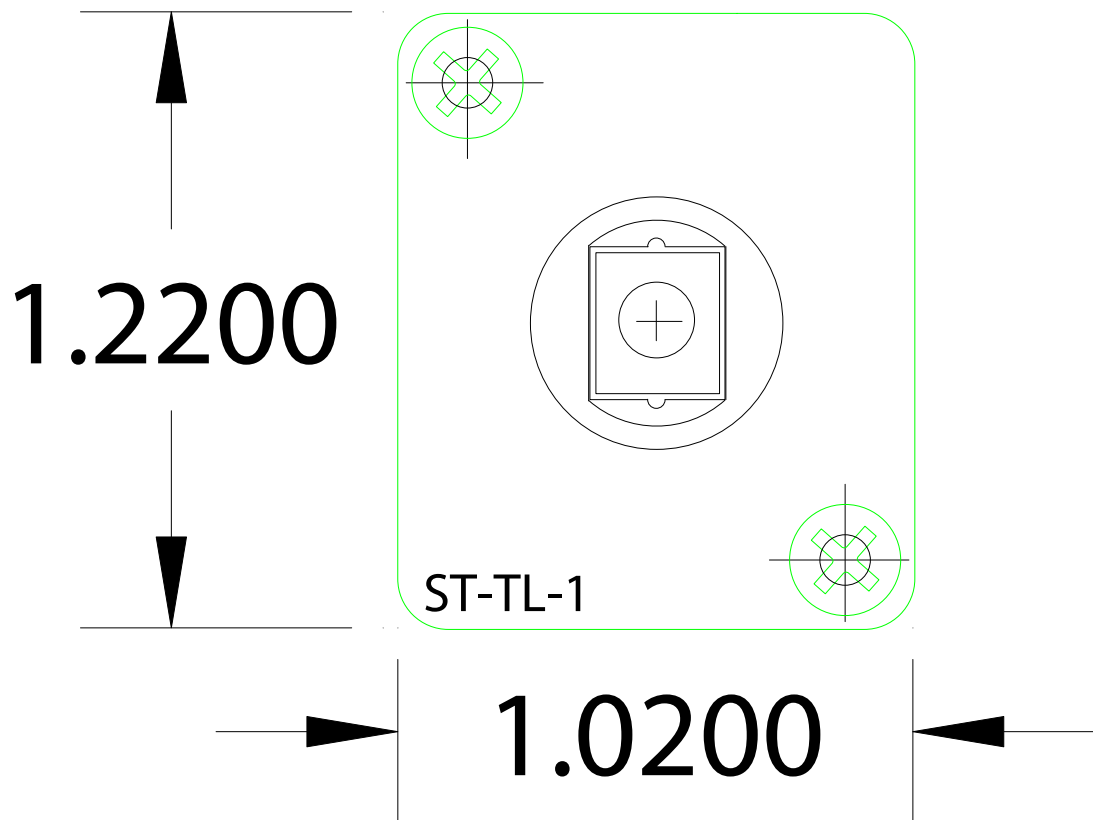


ST-TL-1



(Hole pattern same as Neutrik "D"
& Switchcraft "E" series)